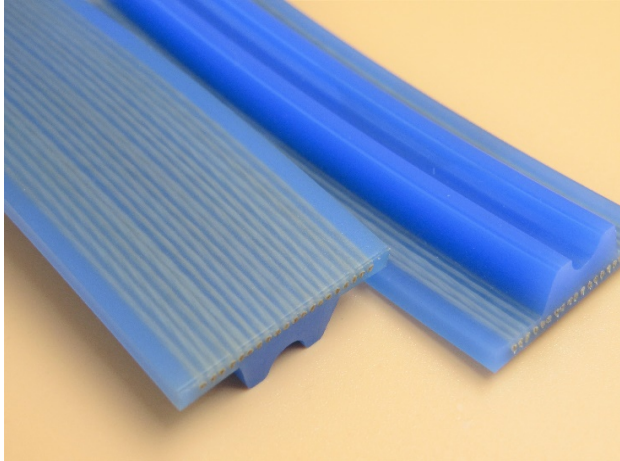


Technical Datasheet	CFTG™	Power Transmission Belt
	Belt type	CFTG-60SG CF-022 ver.0

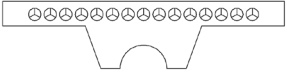
Applications

- Narrow belt sorter

Construction



Top side	Bottom side
TPU	Soft TPU
Flat	Guide
Blue	Blue
Tension member	Splice
Aramid	Finger splice
Cord	(10×120)

Construction 

Dimensions

Width	30 mm
Length	1,500~110,000 mm
Total thickness	2.4(body), 7.5(total) mm
Weight	4.5 kg/m ²

Please contact Nitta if you need other dimensions.

Regulatory compliance

Features

Properties

Dynamic properties	
Standard elongation	0.5 %
Tension after relaxation at 0.5%	60 N/mm
Operation temperature range	-10~60 °C
Minimum pulley diameter	
Minimum pulley diameter	90 mm
Tensile properties	
Tensile strength	700 N/mm
Elongation at break	3.5 %
Maximum allowable elongation	1.0 %
Coefficient of friction	
Top side vs. Steel	0.5~0.6
Bottom side vs. Steel	0.5~0.6